

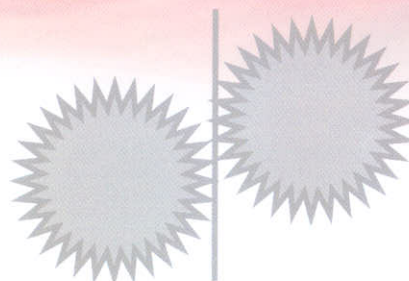
# Carù



*DUST CLEANING  
BRUSHING MACHINES*

Since 1961

 **ITALY**   
For info: [info@carusrl.it](mailto:info@carusrl.it)





# SP200



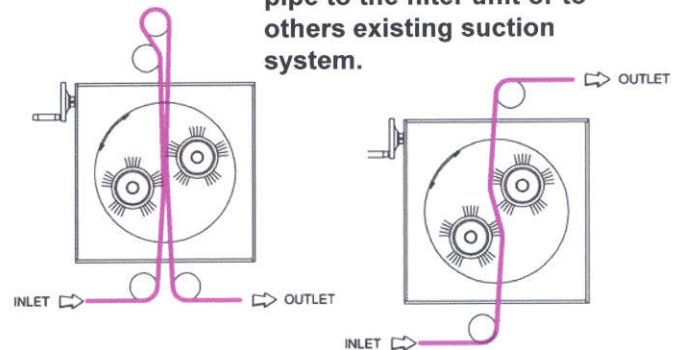
Our brushing/cleaning machines are efficient cleaning units, easily applicable to any existing machine, where it is request an high performance of cleanness from any residual contamination or wast from any previous process. Two brushes are working at the same time on front and on the back surface of the fabric to assure the maximum efficiency. The type of the brushes depend from kind of fabrics process; The small dimension of the SP200, let it to be installed easily in every place, making this small unit suitable for different applications. The external suction unit , is made up of an electric fan connected through flexible pipe to the filter unit or to others existing suction system.



The exposed features are indicative and could be changed at any time.

Carù, who has been designed and manufacturing textile finishing machinery since the early sixties, always looking for technologically advanced solutions;

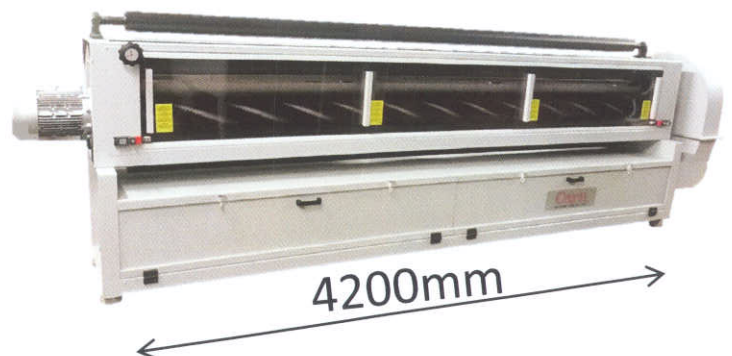
DIMENSION	L: 2300 X W: 2800-5000 X H: 580 mm
MACHINE WEIGHT	400 Kg to 920 Kg
INSTALLED POWER	2,2 Kw to 5,5 kw
BRUSH DIAMETER	200 mm – 260 mm
WORKING WIDTH	From 2000 mm to 3600 mm
BRUSH SPEED	From 300 rpm to 700 rpm



EXAMPLE OF FABRICS PASS

# Carù

## SP200-W *wider*





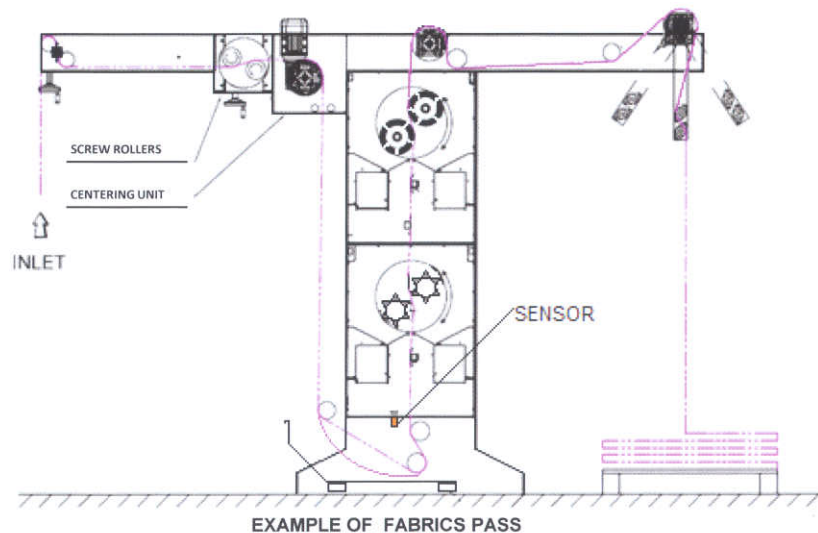
# Carvi

## SP200 X 2

Brushes and beaters are working at the same time on the front and on the back of the fabric, to assure the maximum cleaning efficiency. Type of brushes depend from fabric processed. Special antistatic brushes can be installed on this machine.

Contact angle of the brushes to fabric can be easily adjusted by the means of electric actuators. A laser sensor, control and adjust the tension of the fabrics during the running process.

**(NO TENSION SYSTEM)** Special hoods on the bottom of the machine's frame lets the suction air catch all the dust from the brushing process; Machine is equipped with spreading rollers unit and centering device with photocells.



DIMENSION	L:4100 X W:3400-H5000 X 2800mm
MACHINE WEIGHT	400 Kg to 920 Kg
INSTALLED POWER	2,2 Kw to 5,5 kw
BRUSH DIAMETER	200 mm – 260 mm
WORKING WIDTH	From 2000mm to 3600mm
BRUSH SPEED	From 300 rpm to 700 rpm

